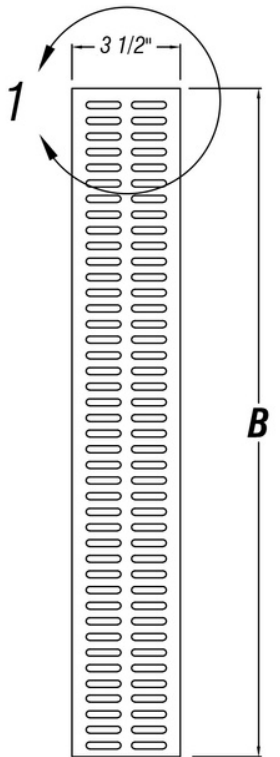


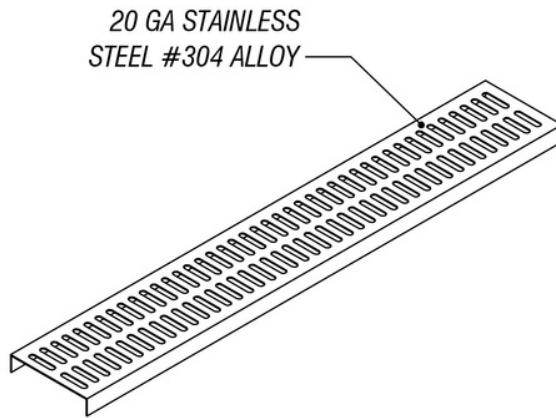


# ARCH HARDWARE

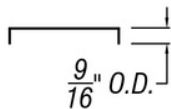
## DRIP TRAY FOR TABLE MOUNT SCUPPER 3 7/8" OVERALL



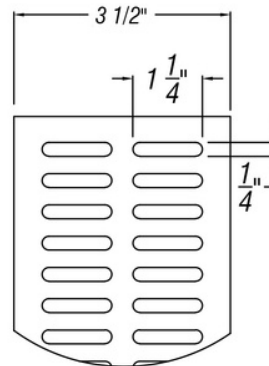
TOP VIEW



ISOMETRIC VIEW



FRONT VIEW



DETAIL-1

| PART #                | SIZE FOR B | MATERIAL                          | FINISH           |
|-----------------------|------------|-----------------------------------|------------------|
| DR462-DT-3 7/8-23 7/8 | 23 7/8"    | 20 Ga. Stainless Steel #304 alloy | Satin (#4 Brush) |
| DR462-DT-3 7/8-47 7/8 | 47 7/8"    |                                   |                  |
| DR462-DT-3 7/8-58 7/8 | 58 7/8"    |                                   |                  |



Phone  
(800)-679-2614



Email  
webstore@archhardware.net



Address  
303 Maler Rd., Sealy, TX 77474